

NVR

4 CH NVR

6MP/5MP/4MP/3MP/1080P/720P HD NVR



SV-6NS4000/1H5S



HD Output



HD IPC



DDNS



Network



PTZ



Audio



Mobile



CMS



USB



Mouse



E-mail



STD



VCA

SV-6NS4000/1H5S series supports 4 CH 6MP/5MP/4MP/3MP/1080P/960P/720P high definition IP video input, which adopts the advanced SOC technique to ensure high definition recording in each channel and realize outstanding robustness of the system.

SV-6NS4000/1H5S series supports 4 CH IP input, simultaneous 4 CH playback, and 1080P high definition display. The series of product can meet different security requirements of home, financial, commerce, enterprise, transportation and government, etc.



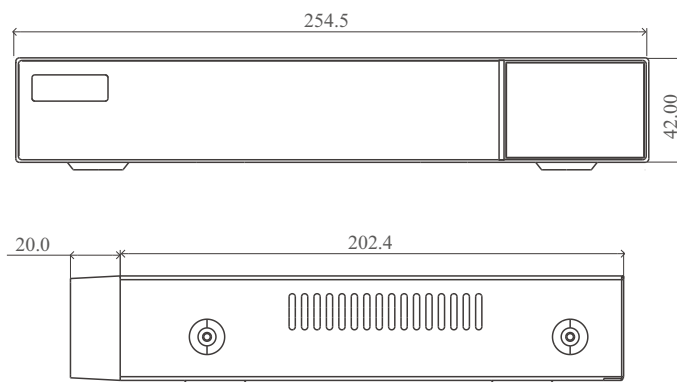
Specifications

Model		SV-6NS4000/1H5S
System	OS	Embedded Linux
Video	Network Input	4 CH IPC input
	Network Input Resolution	6MP/5MP/4MP/3MP/1080P/960P/720P/D1/CIF
	Output	HDMI × 1 : 1920 × 1080 / 1280 × 1024 / 1024 × 768 VGA: 1920 × 1080 / 1280 × 1024 / 1024 × 768 HDMI and VGA output the same video source
	Compression	H.265S / H.265+ / H.265 / H.264
	Multi-screen Display	1 / 4
Audio	Network Input	4 CH IPC audio input
	2-way Audio	No
	Local Output	No (HDMI supports the audio output)
	Compression	G.711(U/A)
Record	Resolution	6MP/5MP/4MP/3MP/1080P/960P/720P/D1/CIF
	Frame Rate	30fps/25fps(NTSC/PAL)
Playback	Simultaneous Playback	Max. 4 CH
	Search	Time slice / time / event / tag / smart search
	Smart Search	Highlighted color to display the camera record in a certain period of time, different colors refers to different record events
	Function	Play, pause, FF, FB, digital zoom, etc.
Decoding Capability	Live View/ Playback	1CH 6MP; 4CH 1080P
Alarm	Type	Manual, sensor, motion, exception, smart events, etc.
	Input	Support IPC alarm input
	Output	Support IPC alarm output
	Triggering	Record, snapshot, buzzer, preset, e-mail, etc.
Network	Interface	RJ 45 100Mbps × 1
	Protocol	TCP / IP, IPv4, IPv6, PPPoE, DHCP, DNS, DDNS, UPnP, NTP, SMTP, HTTP, HTTPS, RTSP, ONVIF, etc.
	Incoming Bandwidth	40 Mbps
	Outgoing Bandwidth	40 Mbps
	Client Connection	Max. 10 users access
LPR	Plate Detection (AI by IPC)	Yes
Mobile Device	OS	iOS, Android
Storage	HDD Interface	SATA3.0 × 1, max 10T
Backup	Local Backup	U disk, USB mobile HDD
	Network Backup	Yes
Port	USB	USB 2.0 × 2
	Remote Controller	No
Others	Power Supply	DC 12V/1.5A
	Consumption	≤ 5W (without HDD)
	Dimensions (mm)	255 × 222 × 42 (W × D × H)
	Working Environment	-10 ~ 50 °C , 10% ~ 90% humidity
	Certificate	CE, FCC
Environmental Protection		Complies with Directive EU RoHS, REACH and WEEE

Features

- Support 4 CH 6MP/5MP/4MP/3MP/1080P/960P/720P/960H/ D1/CIF IP video input
- H.265S/H.265+/H.265/H.264 coding
- Intuitive and user-friendly Graphic User Interface (GUI), Windows style operation by mouse
- Multi-type recording: manual / timed / motion / sensor / POS / AI recording
- Playback : 4 CH simultaneous playback
- Search : time slice, time, event, tag, smart search
- Support multiple VCA (Video Content Analytics) events, such as object abandoned/missing, region intrusion, tripwire, video exception, crowd density, etc.
- Support POS information overlay on live view and playback
- Express and flexible backup via USB, network and so on
- Pentaplex : preview, record, playback, backup and remote access
- DHCP, DDNS, PPPoE network protocol
- Remote control via Web Client or CMS : preview, playback, backup, PTZ and configuration
- Dual stream technology for local storage with high definition, remote network transmission and remote surveillance with mobile device
- Authorization management, log view and device status view
- 1080P HD output, true high resolution display
- Support NAT function and QRCode scanning by mobile phones
- Powerful mobile surveillance by smart phones with iOS and Android OS

Dimensions



Rear Panel

SV-6NS4000/1H5S

