

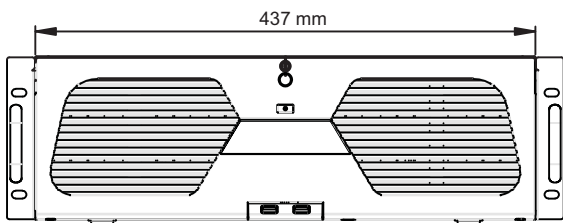
Introduction

SV-8N12800/16H5S-4K is 128 CH 8MP / 5MP / 4MP / 3MP / 1080P / 960P / 720P high definition NVR, which adopt the most advanced SOC technique to ensure high definition recording in each channel and realize outstanding robustness of the system. SV-8N12800/16H5S-4K support 128 CH IP input, simultaneous 16 CH playback, and 4K high definition display. The series of product can meet different security requirements of home, financial, commerce, enterprise, transportation and government, etc.

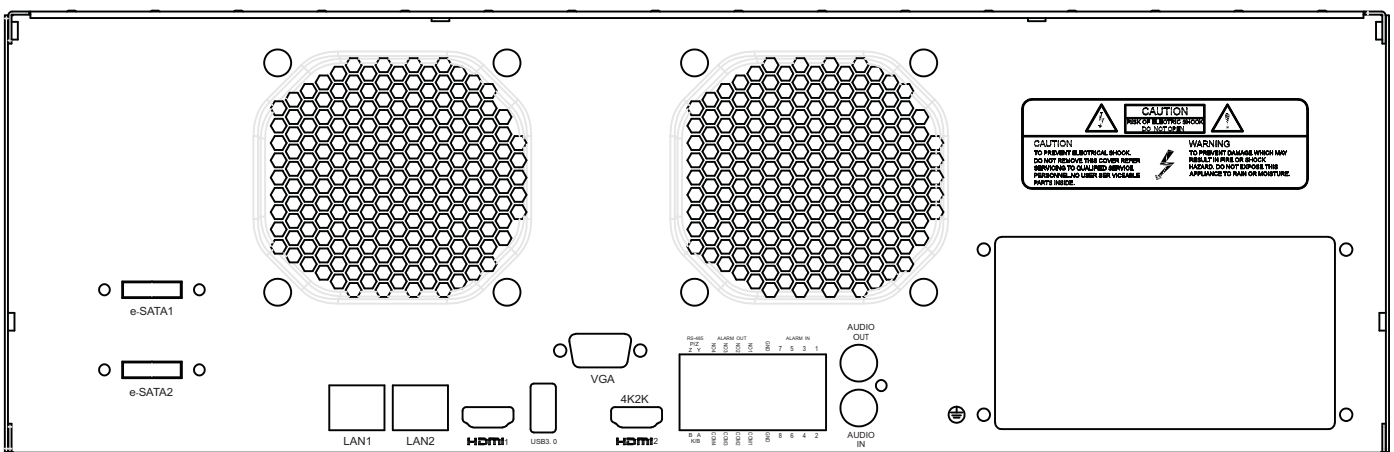
Characteristics

- Support 128 CH 8MP / 5MP / 4MP / 3MP / 1080P / 960P / 720P IP input
- Adopt standard H.265 / H.264 high profile compression format to get high-quality video at much lower bit rate
- Intuitive and user-friendly Graphic User Interface (GUI), Windows style operation by mouse
- Multi-mode recording: manual / timer / motion / sensor
- Playback : 16 CH simultaneous playback
- Search : time slice, time, event (manual, sensor, motion), tag search
- Express and flexible backup via USB, network and so on
- Pentaplex : preview, record, playback, backup and remote access
- DHCP, DDNS, PPPoE network protocol and CMS supported
- Remote control via IE or CMS : preview, playback, backup, PTZ and configuration
- Dual stream technology for local storage with high definition, remote network transmission and remote surveillance with mobile device
- Multi-user online simultaneously
- Authorization management, log view and device status view
- 4K output, true high resolution display
- Support PTZ preset and auto cruise, up to 255 presets and 8 cruises
- Support NAT function and QRCode scanning by mobile phone and PAD
- Powerful smart phone & Pad surveillance with iOS and Android OS

Dimensions



Rear Panel



Specification

Model		SV-8N12800/16H5S-4K
System	Compression	Standard H.265 / H.264
	OS	Embedded Linux
Video	Network Input	128 CH IPC input
	Network Access Bandwidth	320Mbps
	Network Access Format	8MP / 5MP / 4MP / 3MP / 1080P / 960P / 720P@25 / 30fps
	Output	HDMI × 2 : 4K × 2K / 1920 × 1080 / 1280 × 1024, 1920 × 1080 / 1280 × 1024 VGA × 1 : 1920 × 1080 / 1280 × 1024
Audio	Network Input	128 CH IPC audio input
	2-way Audio	RCA × 1
Record	Local Output	RCA × 1
	Record Stream	Dual stream recording
	Resolution	8MP / 5MP / 4MP / 3MP / 1080P / 960P / 720P
Playback	Mode	Manual, timer, motion, sensor
	Simultaneous Playback	Max 16 CH
	Search	Time slice / time / event / tag search
	Smart Search	Highlighted color to display the camera record in a certain period of time, different colors refers to different record events
Alarm	Function	Play, pause, FF, FB, digital zoom, etc.
	Mode	Manual, sensor, motion, exception
	Input	8 CH local alarm input, support 128 CH IPC alarm input
	Output	4 CH
Network	Triggering	Record, snap, preset, e-mail, etc.
	Interface	RJ45 10 / 100 / 1000 Mbps × 2
	Protocol	TCP / IP, PPPoE, DHCP, DNS, DDNS, UPnP, NTP, SMTP
Mobile Device	Web Client	Max 10 users online
	OS	iOS, Android
Storage	HDD	SATA × 16 (support HDD hot swapping), E-SATA × 2 (support external storage)
	RAID Type	RAID 0, RAID 1, RAID 10, RAID 5
Backup	Local Backup	U disk, USB mobile HDD
	Network Backup	Yes
Port	USB	USB 3.0 × 1, USB 2.0 × 2 (two in the front panel and one in the rear panel)
	Remote Controller	Yes
Others	Power Supply	ATX
	Consumption	≤ 15W (without HDD)
	Dimensions (mm)	437 × 483 × 143 (W × D × H)
	Work Environment	-10 ~ 50 °C , 10% ~ 90% humidity

